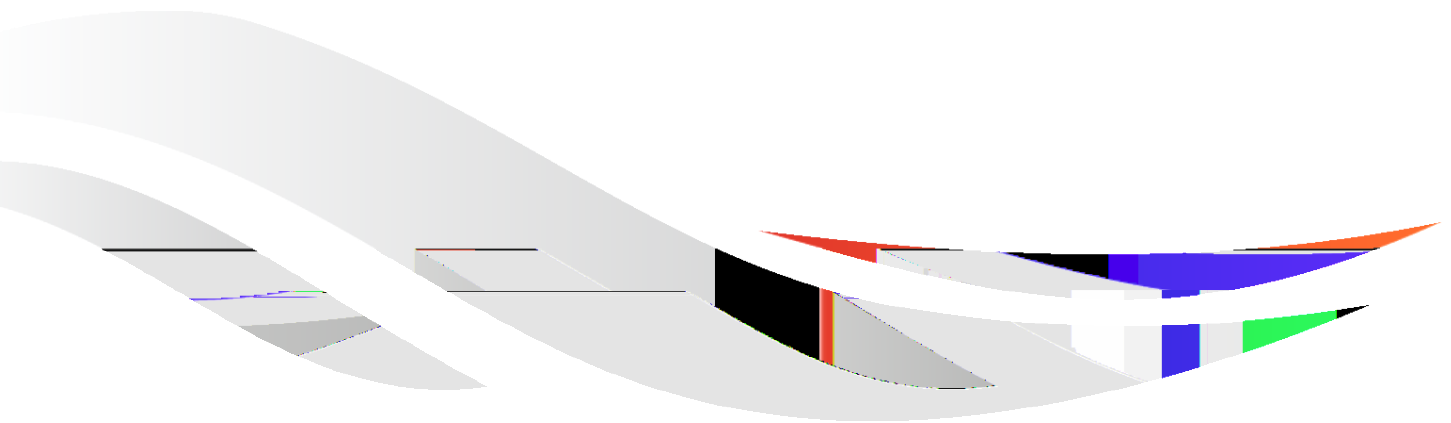


Quectel_EVB_EC600X、EC800X

Oscarc_EVB_CA4.0X、E800X

T3.2

0.0/+11+07



1 @ 3 0..011
64 0/ 3/. 64014 8j dn oscarc ,ank

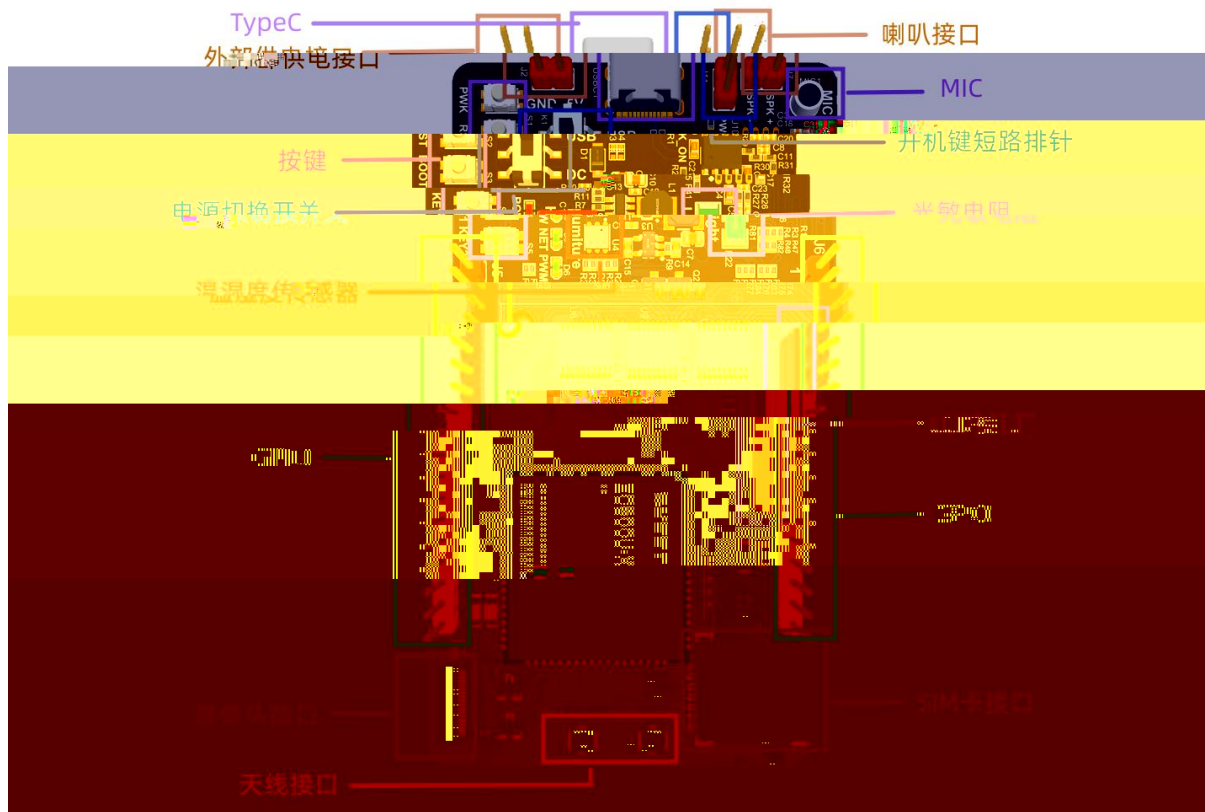
frn&u u u ,oscarc ,ank -al -gsnnmp-q_cq,frk

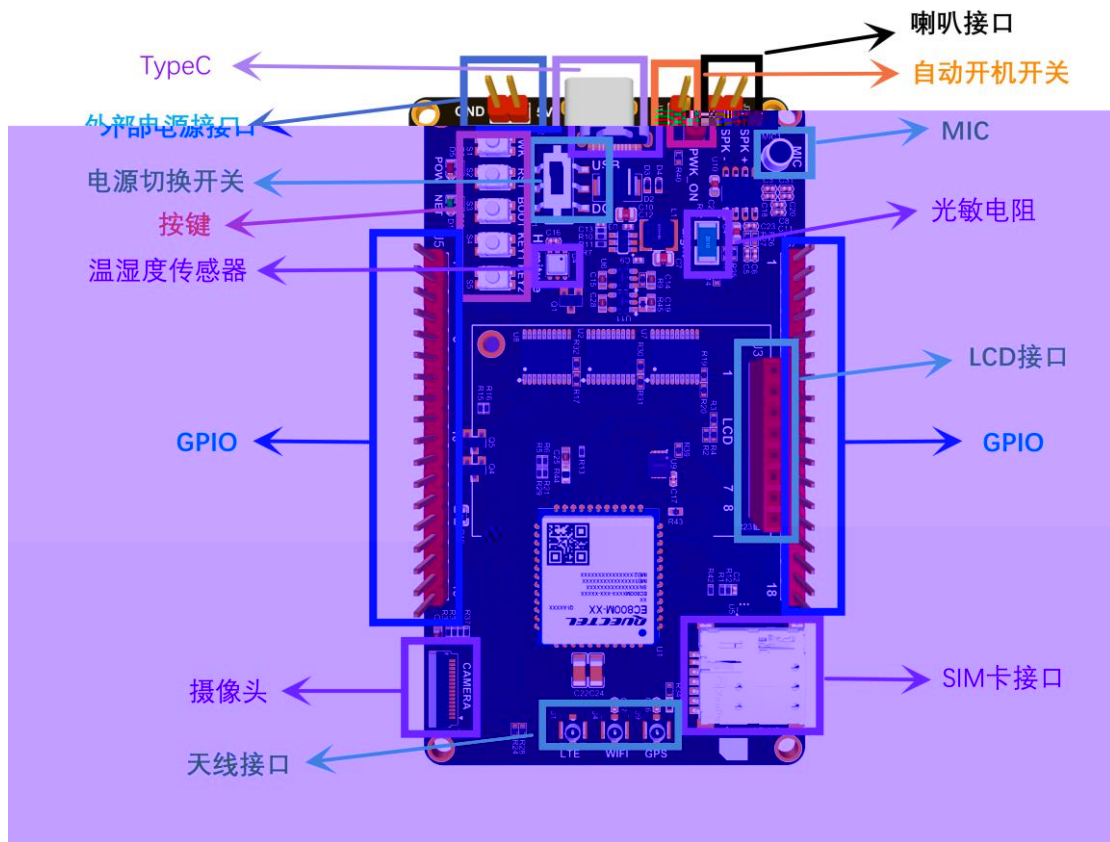
frn&u u u ,oscarc ,ank -al -gsnnmp-rcafl @ ,frk
gsnnmp oscarc ,ank

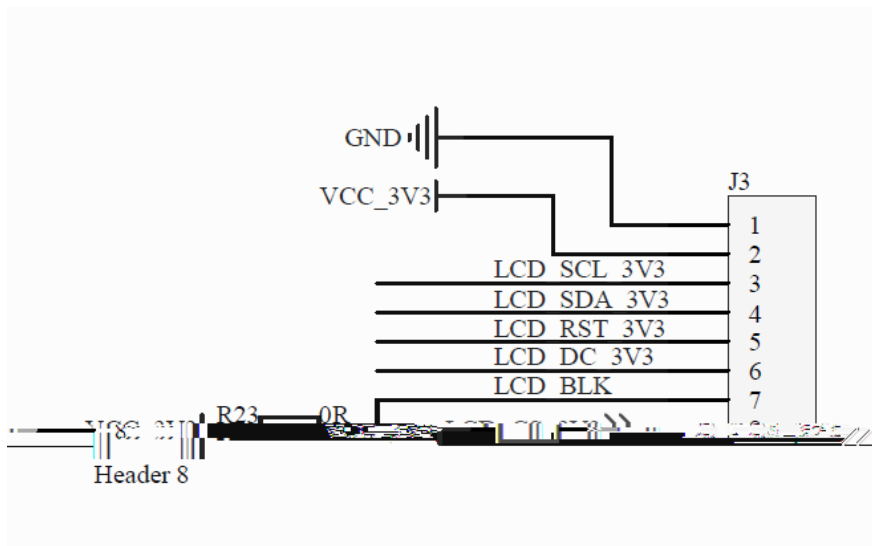
0. 0.

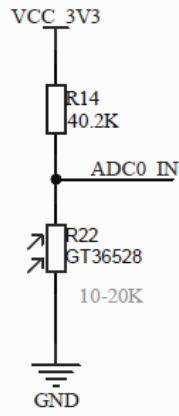
Copyright © Quectel Wireless Solutions Co., Ltd. 2020.

EC600X— EC600 EC600N EC600U EC600M
EC800X— EC800 EC800M EC800E
EVB—
V3.X--

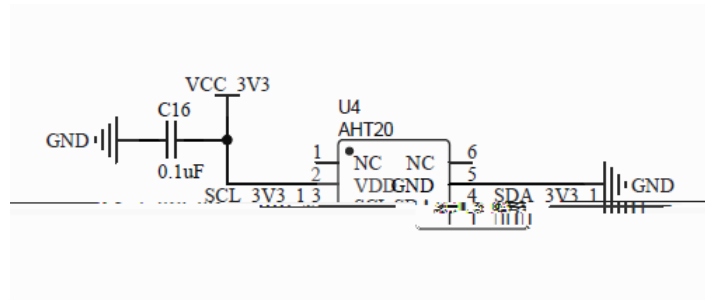
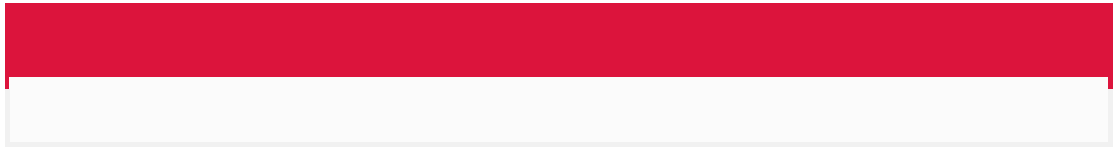


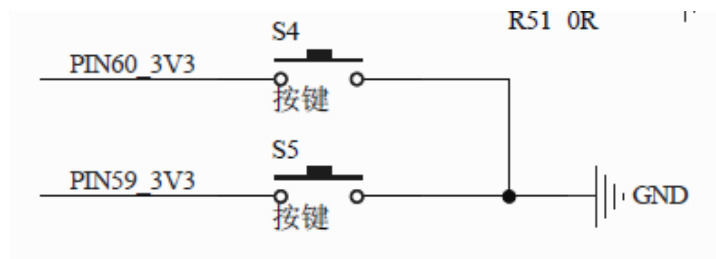
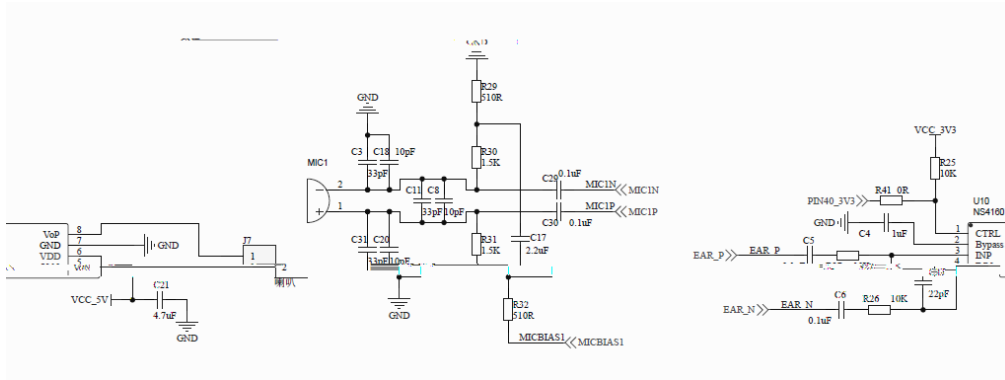




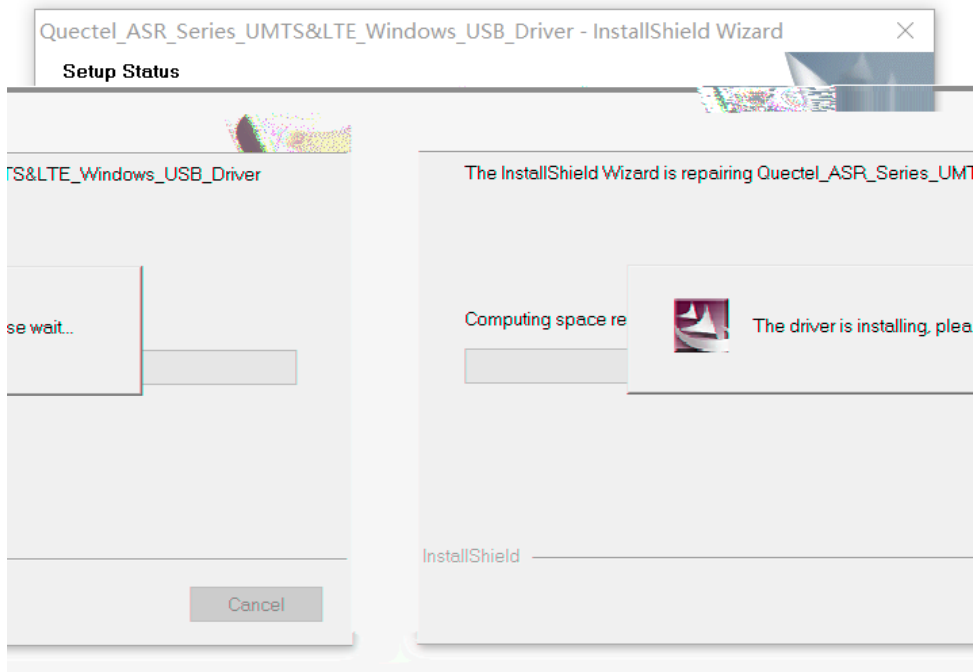


光敏电阻

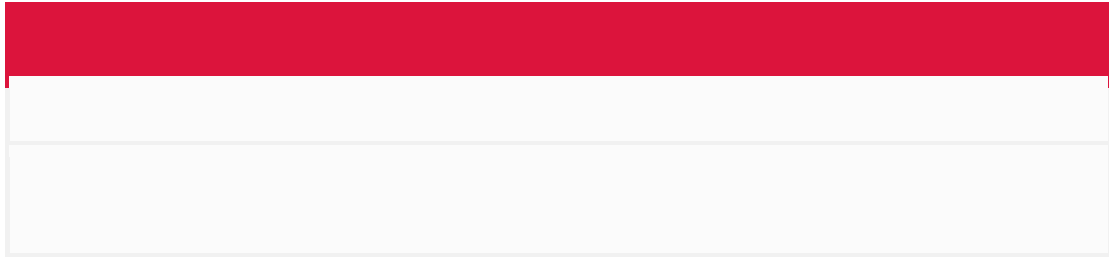


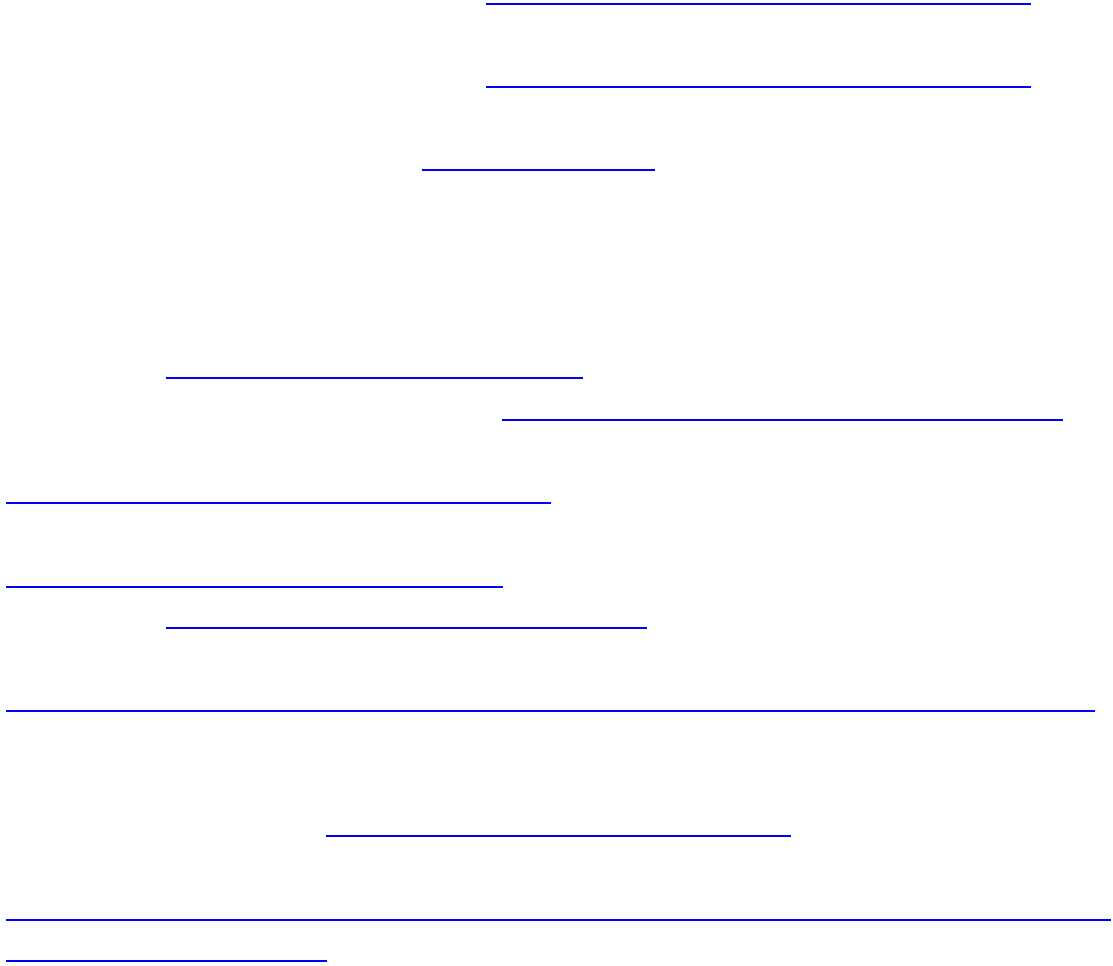


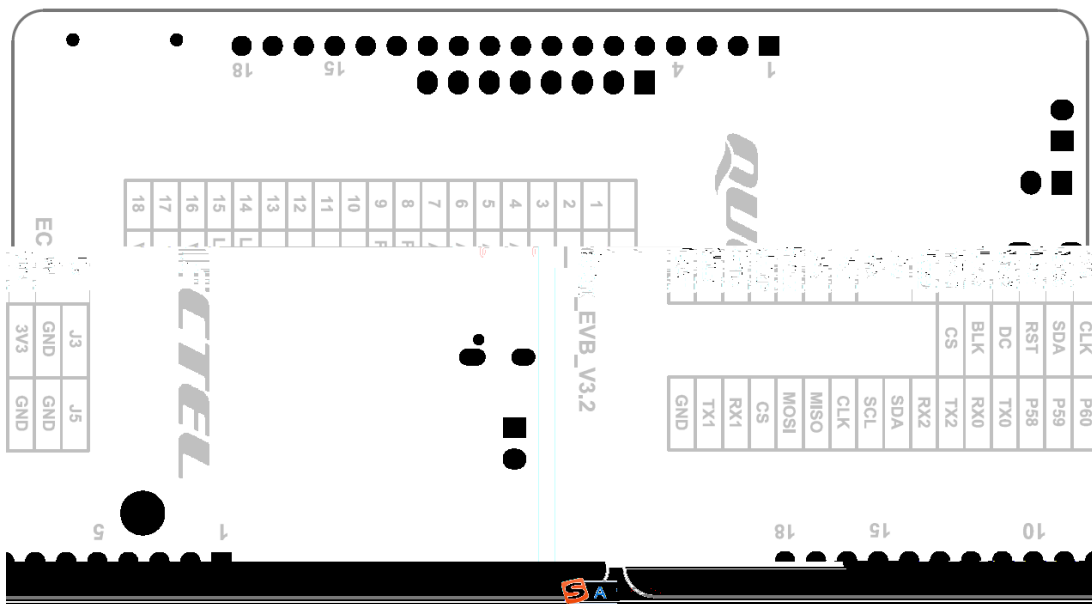
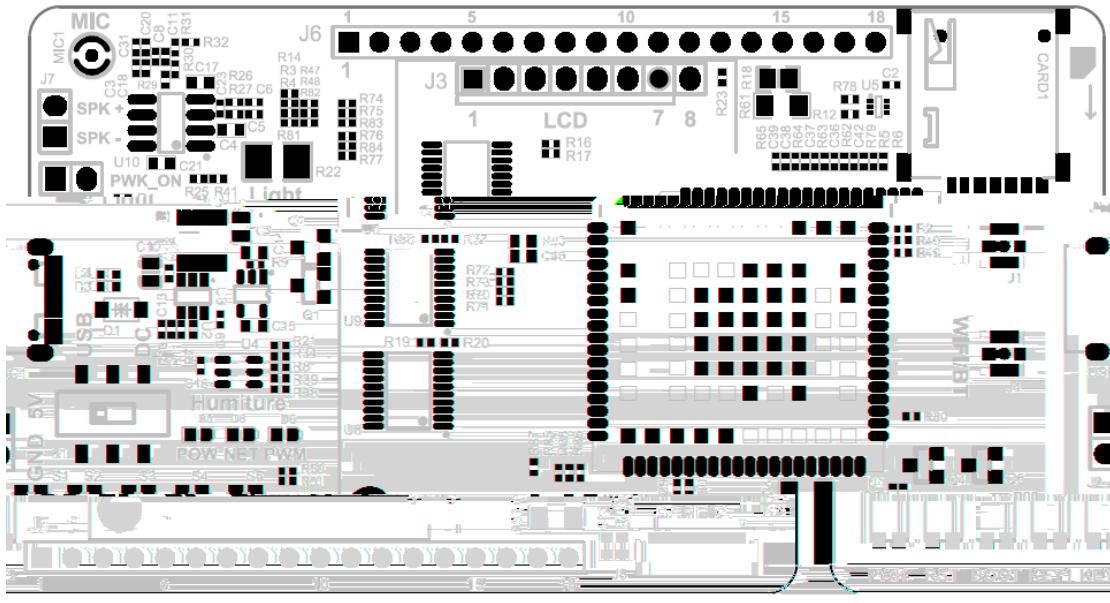
setup.exe

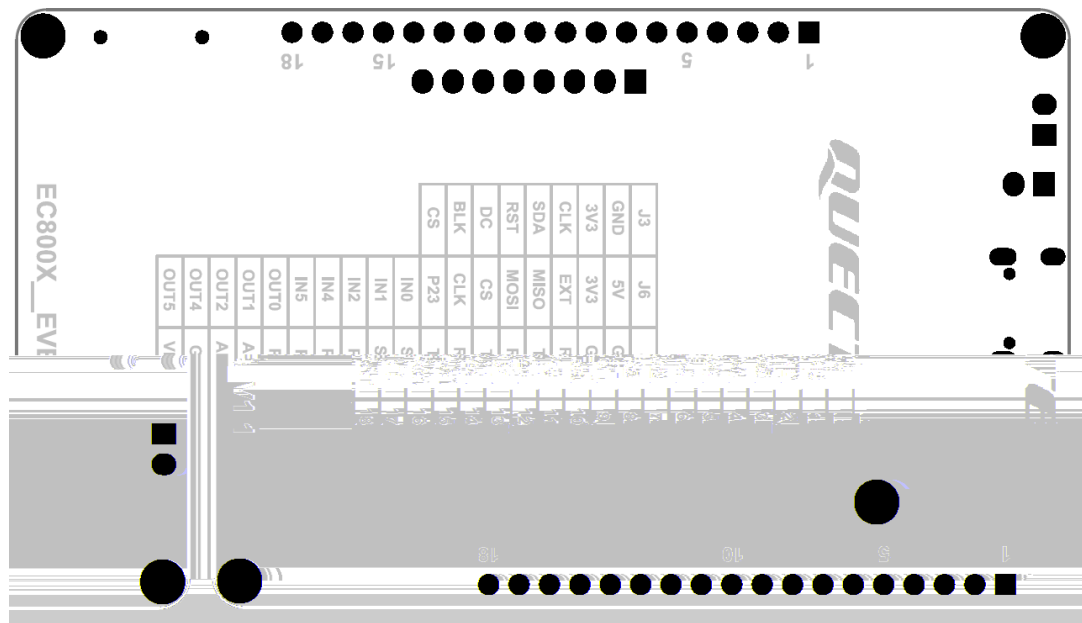
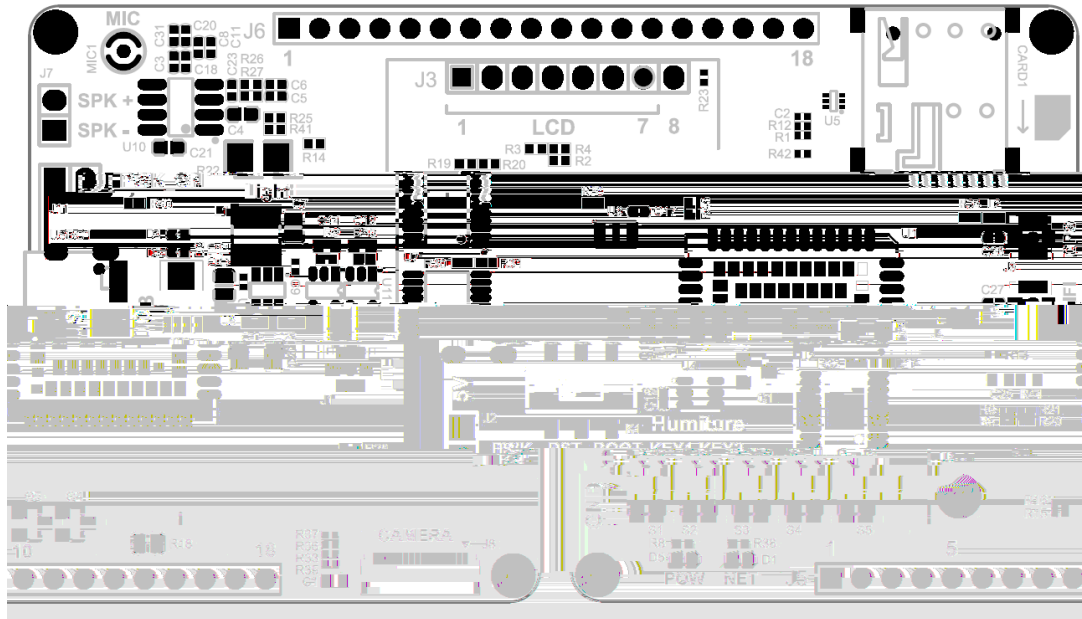


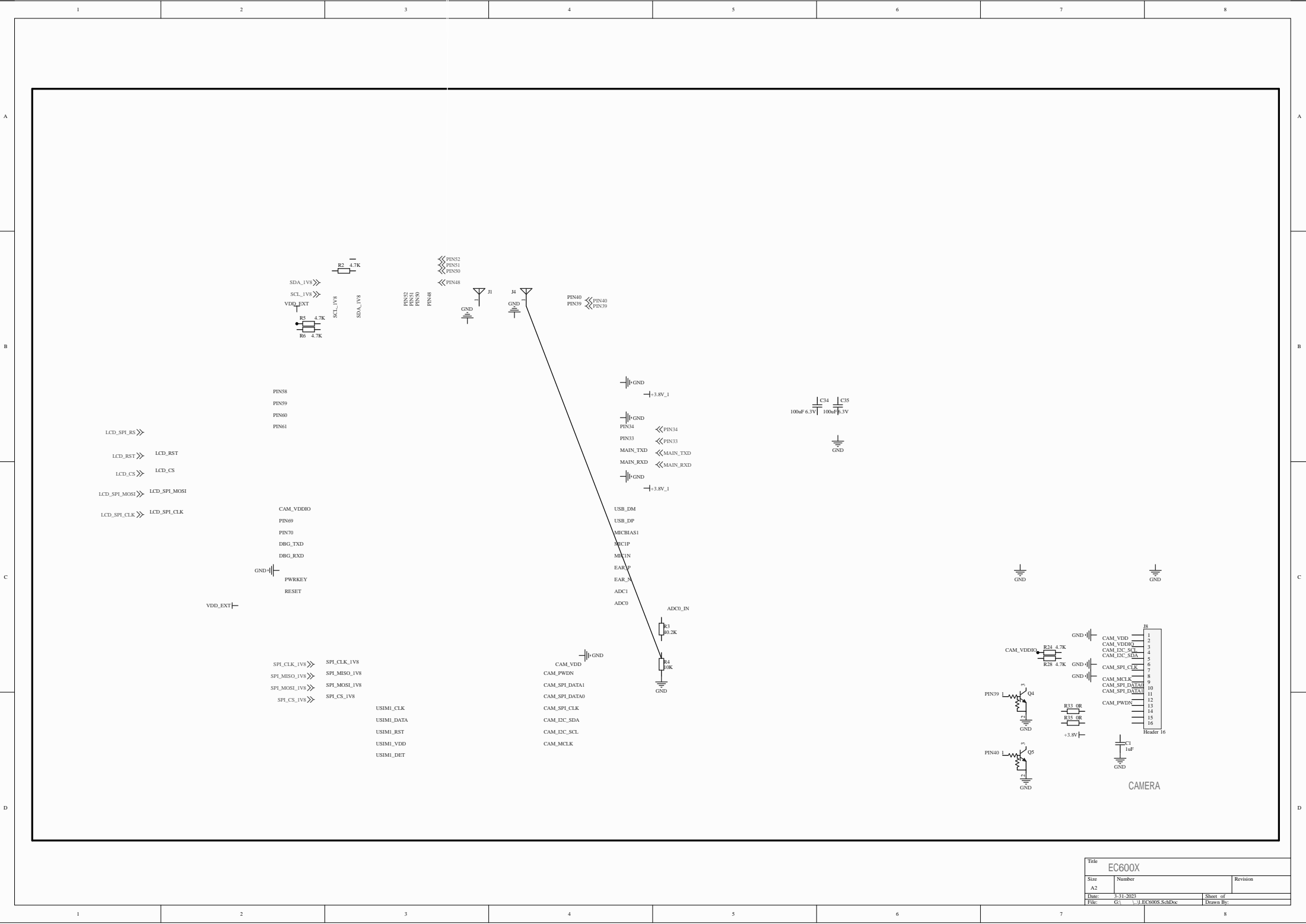
- Quectel USB AT Port (COMx)
- Quectel USB AP Log Port (COMx)
- Quectel USB CP Log Port (COMx)
- Quectel USB Diag Port (COMx)
- Quectel USB MOS Port (COMx)
- Quectel Modem (COMx)
- Quectel USB Serial-1 Port (COMx)
- Quectel USB Serial-2 Port (COMx)



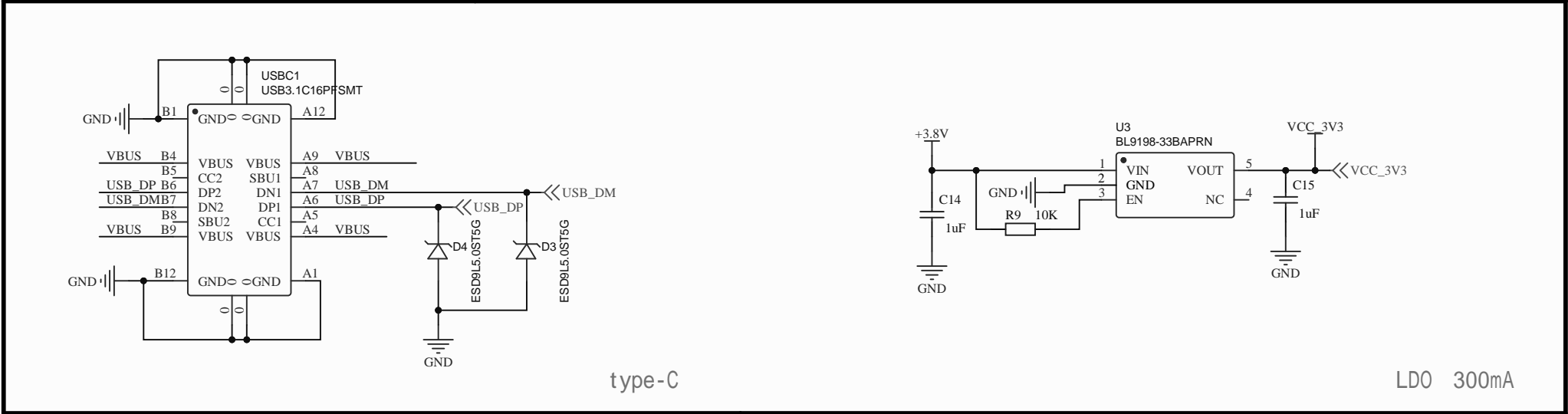
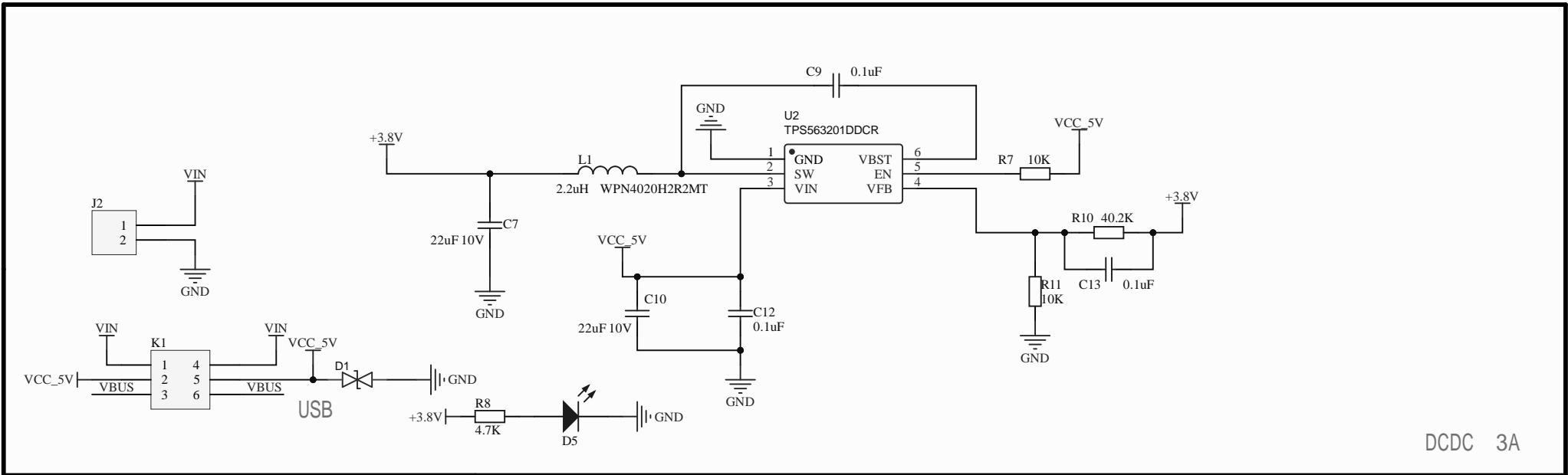




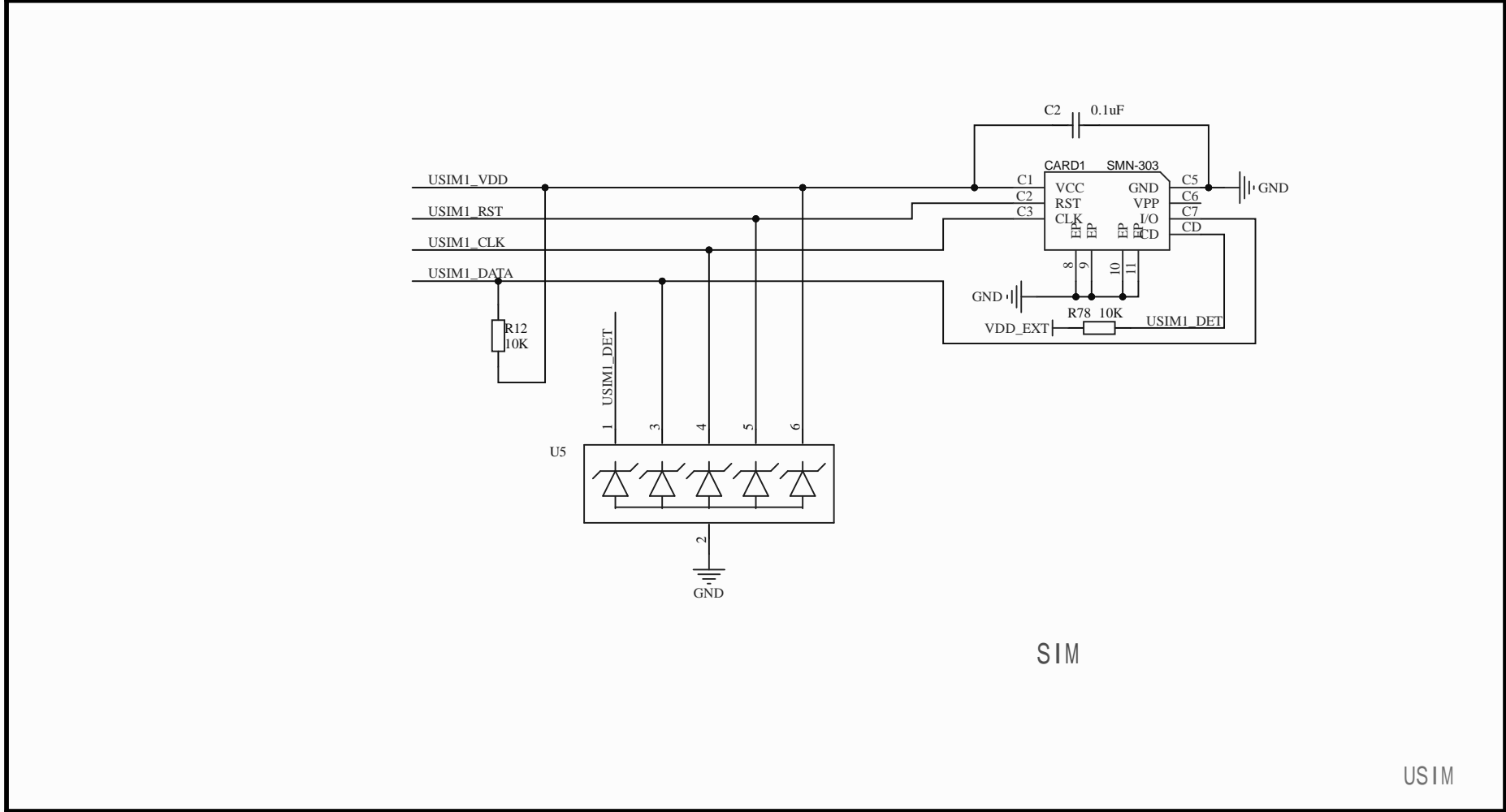




Title		EC600X	
Size	Number	Revision	
A2			
Date	3-31-2023	Sheet of	
File	G:_1\EC600S.SchDoc	Drawn By:	



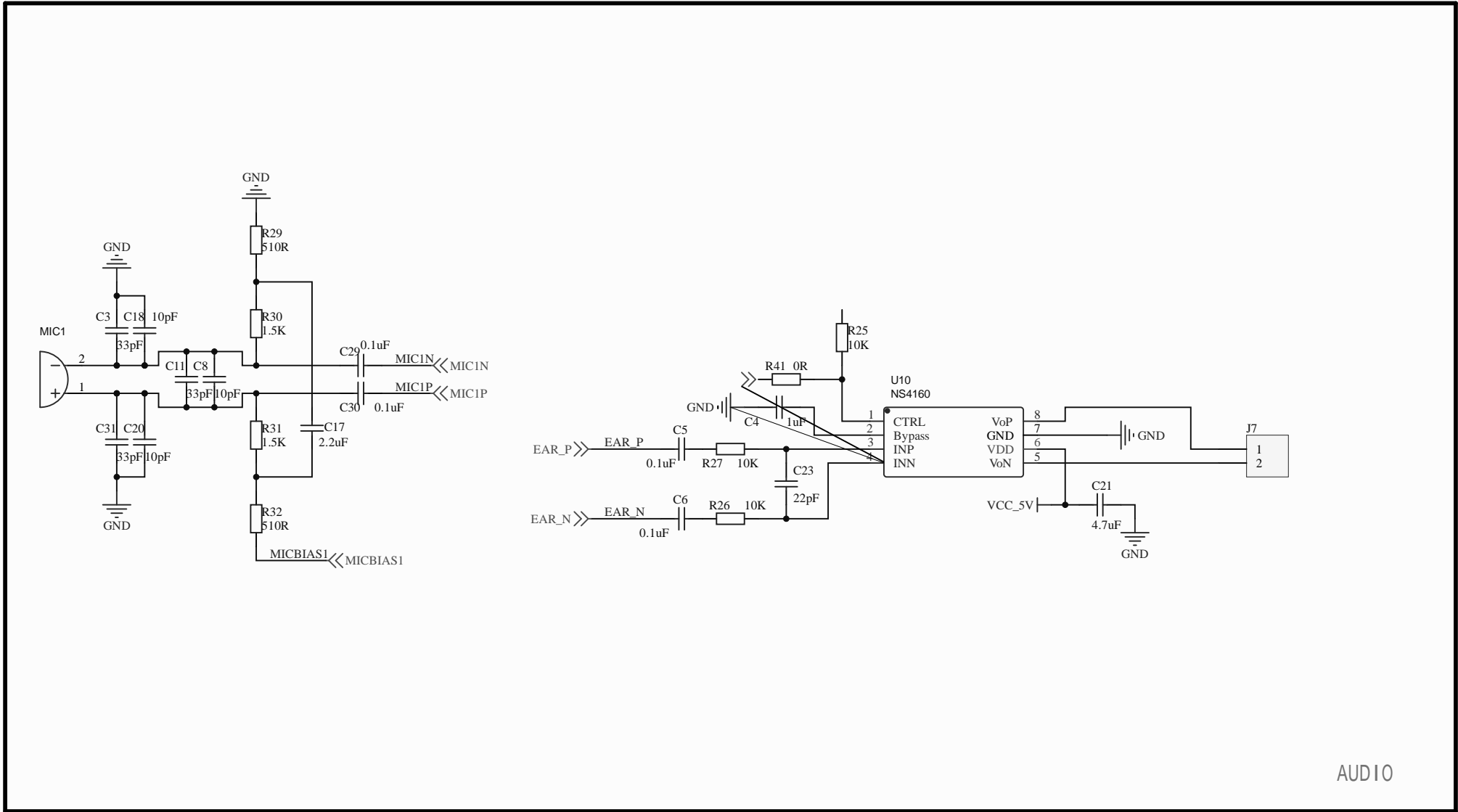
Title		
Size A4	Number	Revision
Date:	3-31-2023	Sheet of
File:	G:\...\2.POWER.SchDoc	Drawn By:



SIM

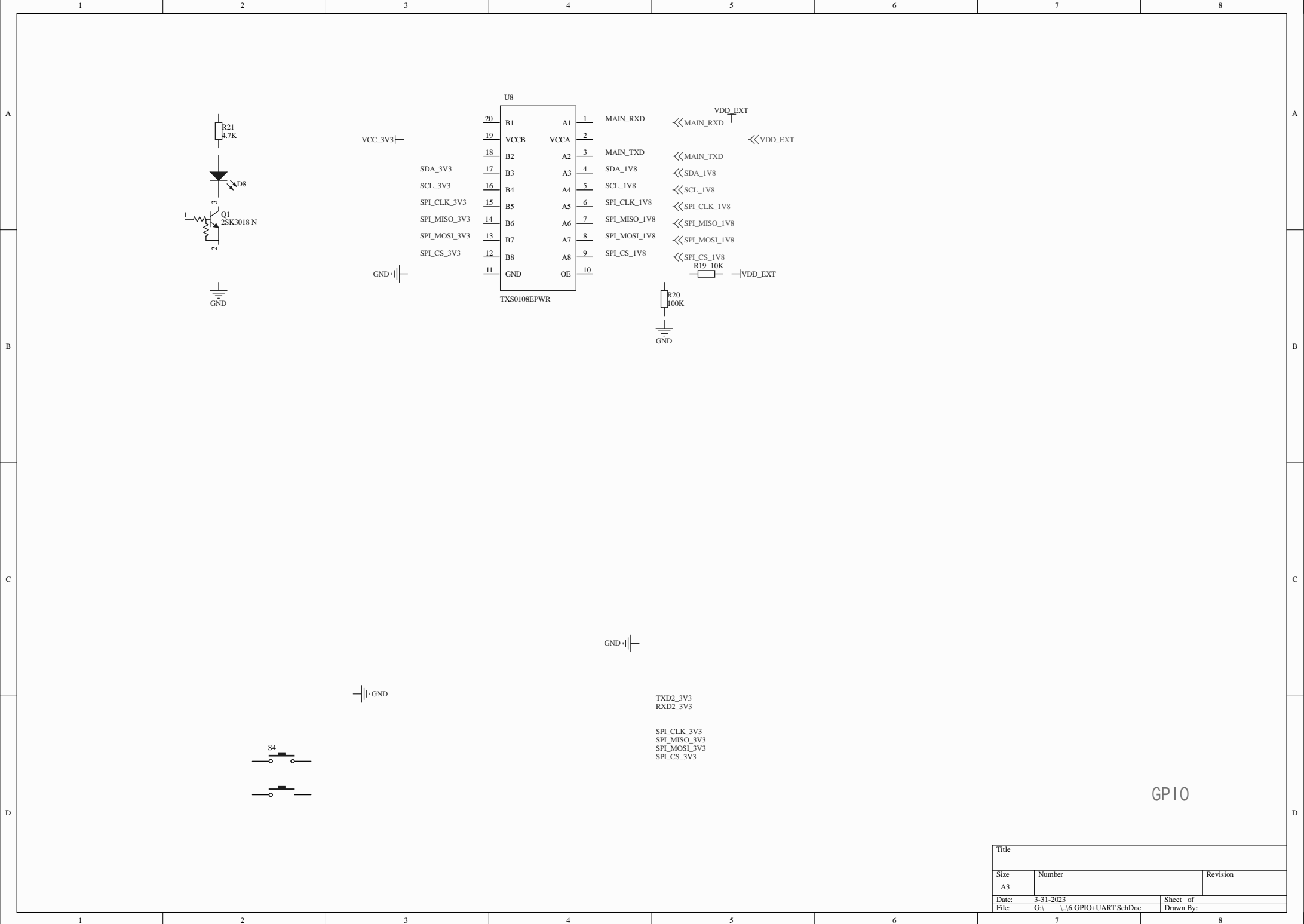
USIM

Title		
Size	Number	Revision
A4		
Date:	3-31-2023	Sheet of
File:	G:\...4.SIM-CARD.SchDoc	Drawn By:



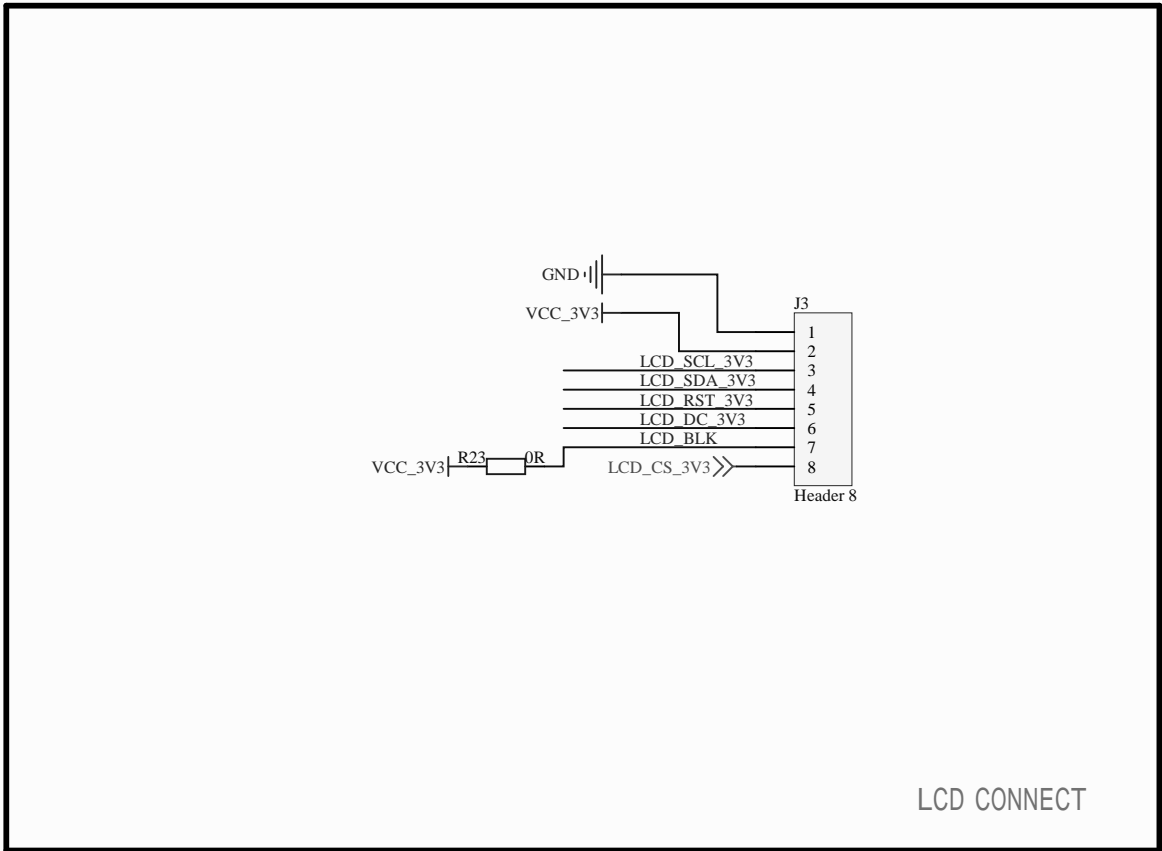
AUDIO

Title		
Size	Number	Revision
A4		
Date:	3-31-2023	Sheet of
File:	G:\...5.AUDIO.SchDoc	Drawn By:



GPIO

Title		
Size A3	Number	Revision
Date: 3-31-2023	Sheet of	
File: G:\...6.GPIO+UART.SchDoc	Drawn By:	



LCD CONNECT

Title		
Size A4	Number	Revision
Date:	3-31-2023	Sheet of
File:	G:\...\7.LCM.SchDoc	Drawn By:

A

B

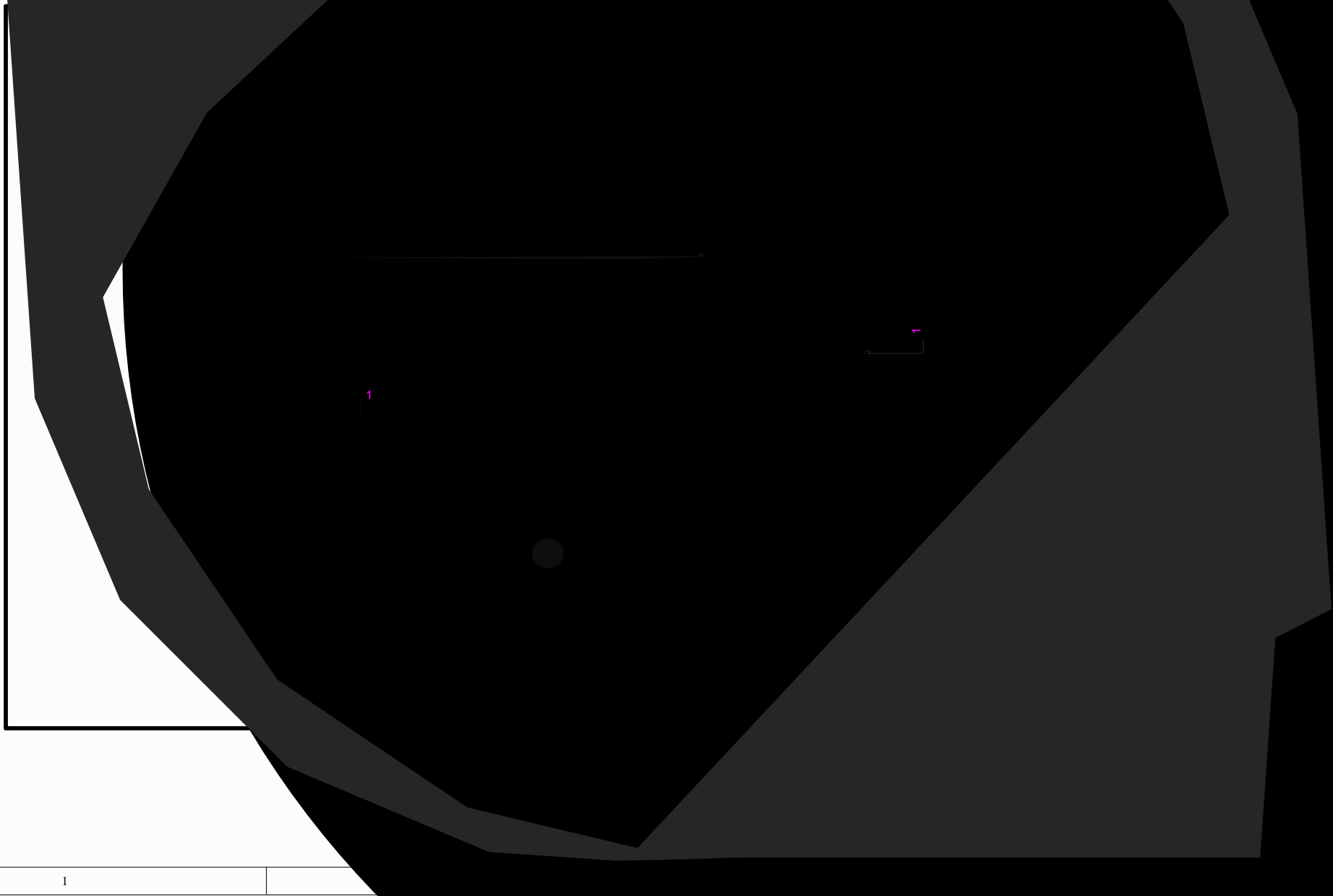
C

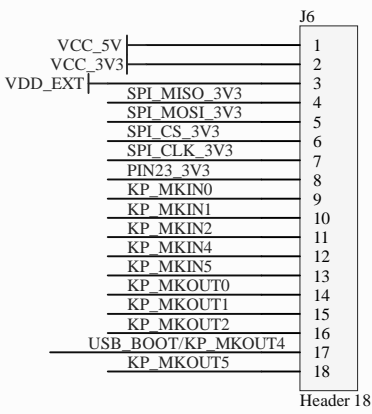
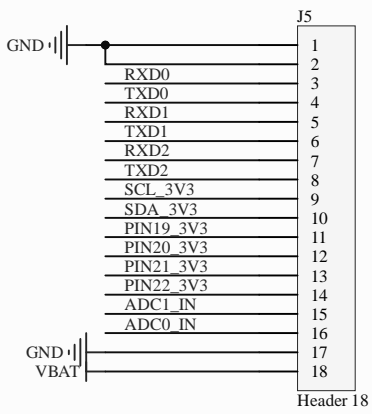
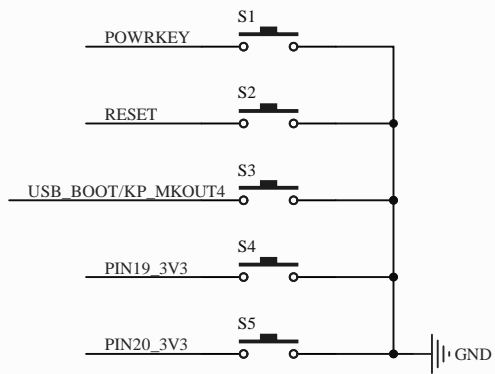
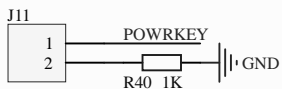
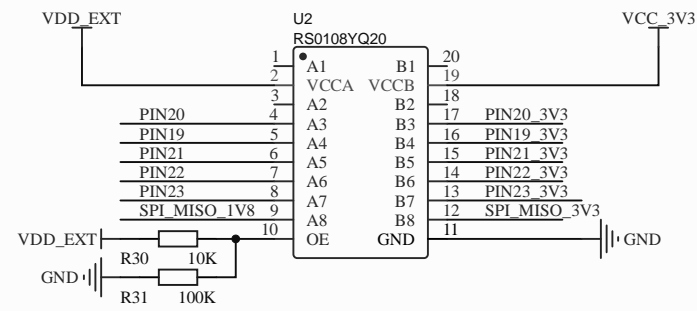
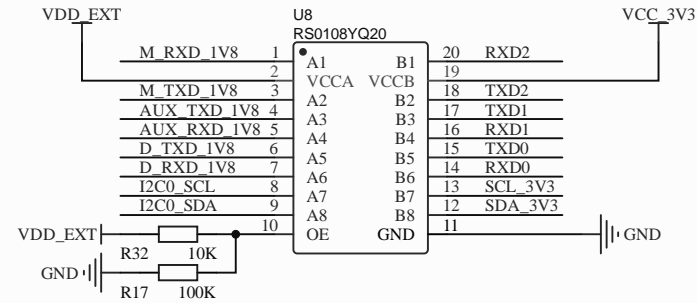
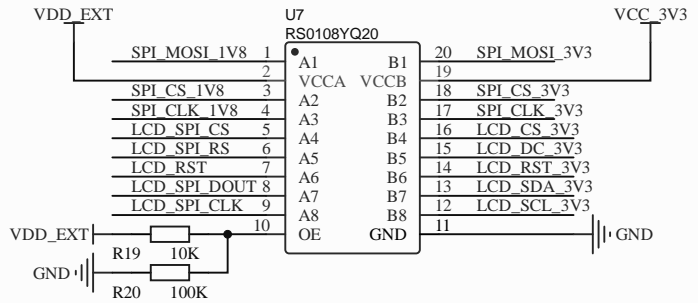
D

1

1

1





GPIO

1

2

3

4

A

A

B

B

C

C

D

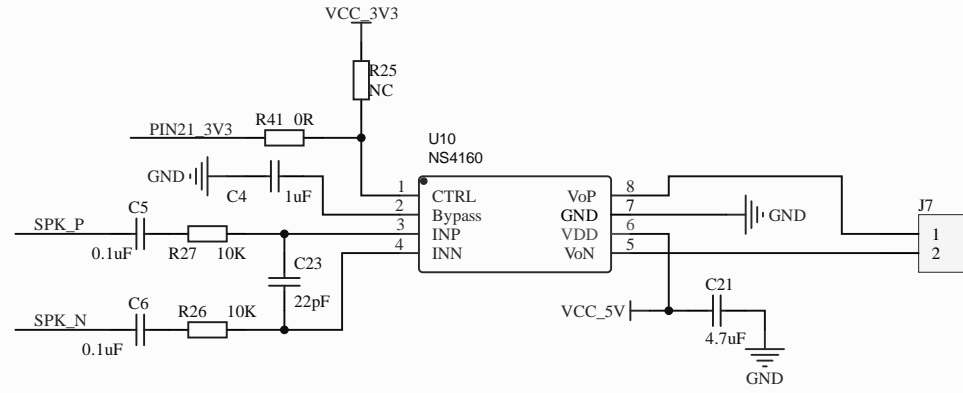
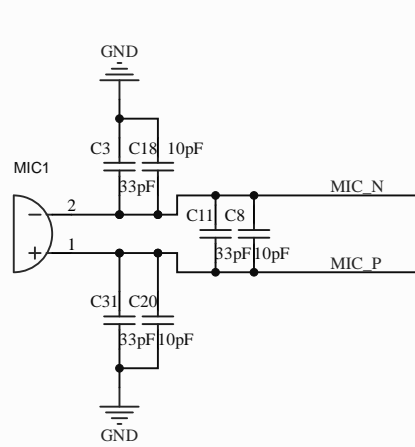
D

1

2

3

4



AUDIO

AUDIO

1

2

3

4

A

A

B

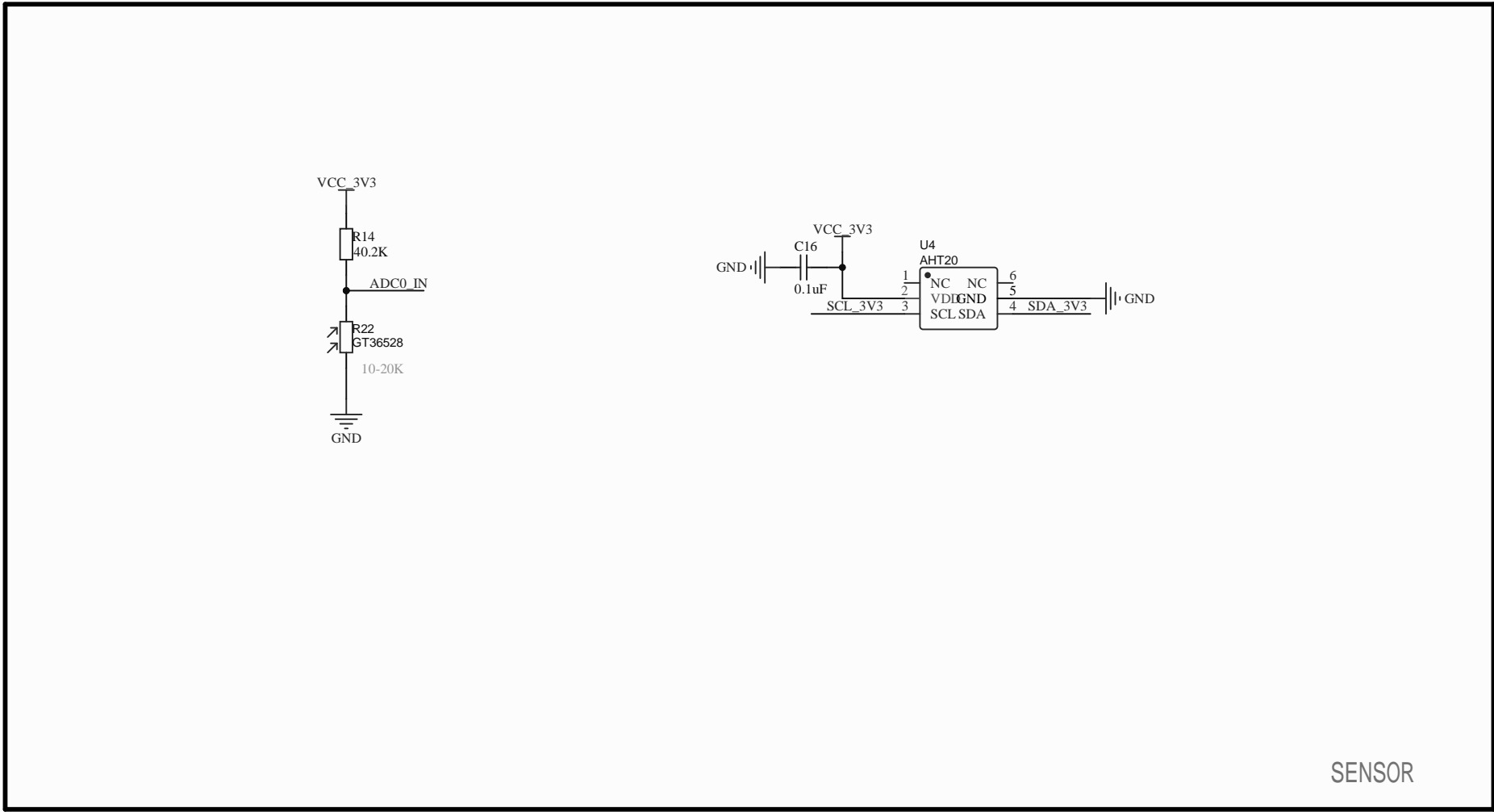
B

C

C

D

D



SENSOR

1

2

3

4

1

2

3

4

A

A

B

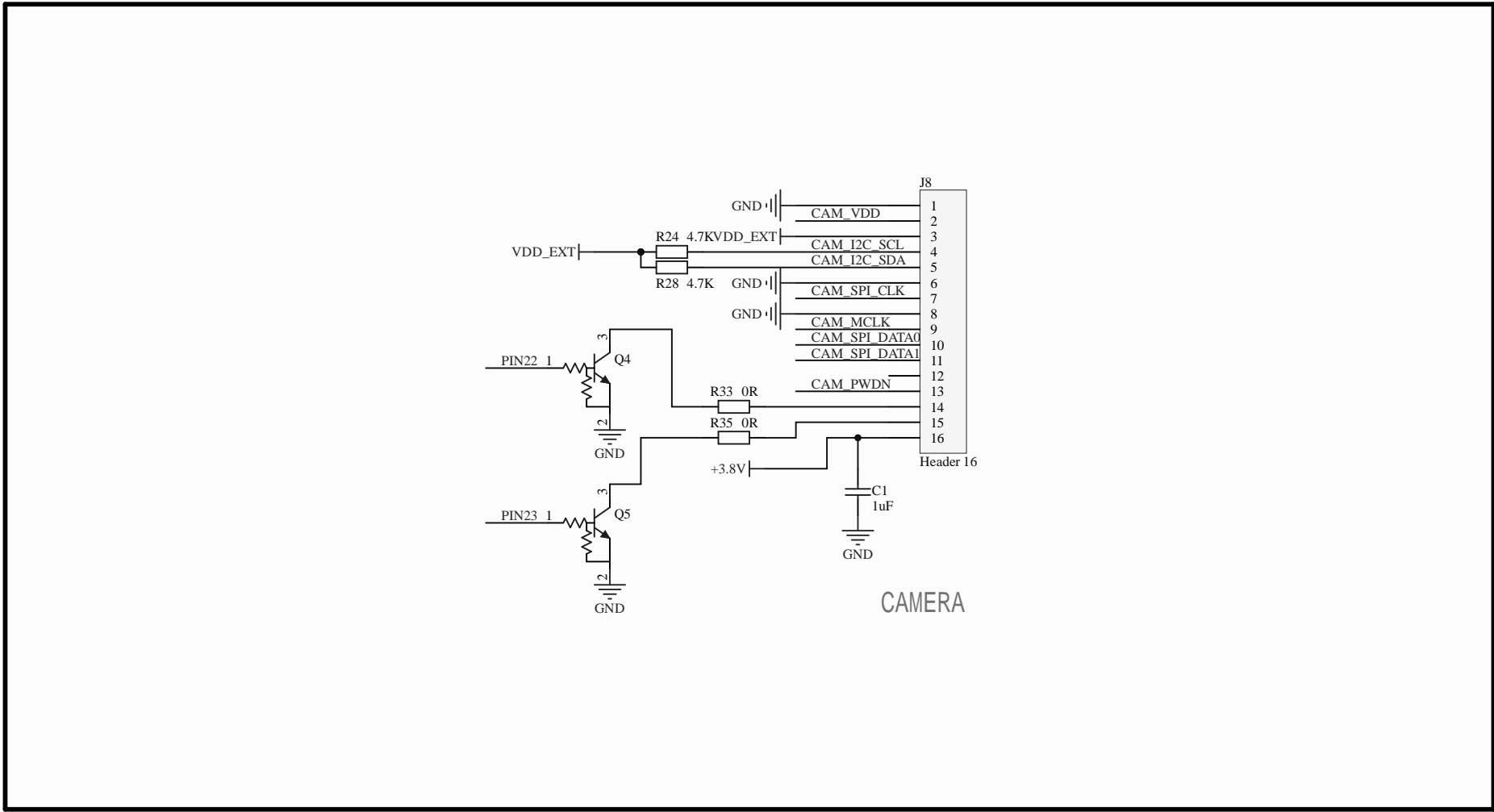
B

C

C

D

D



1

2

3

4

1

2

3

4

A

A

B

B

C

C

D

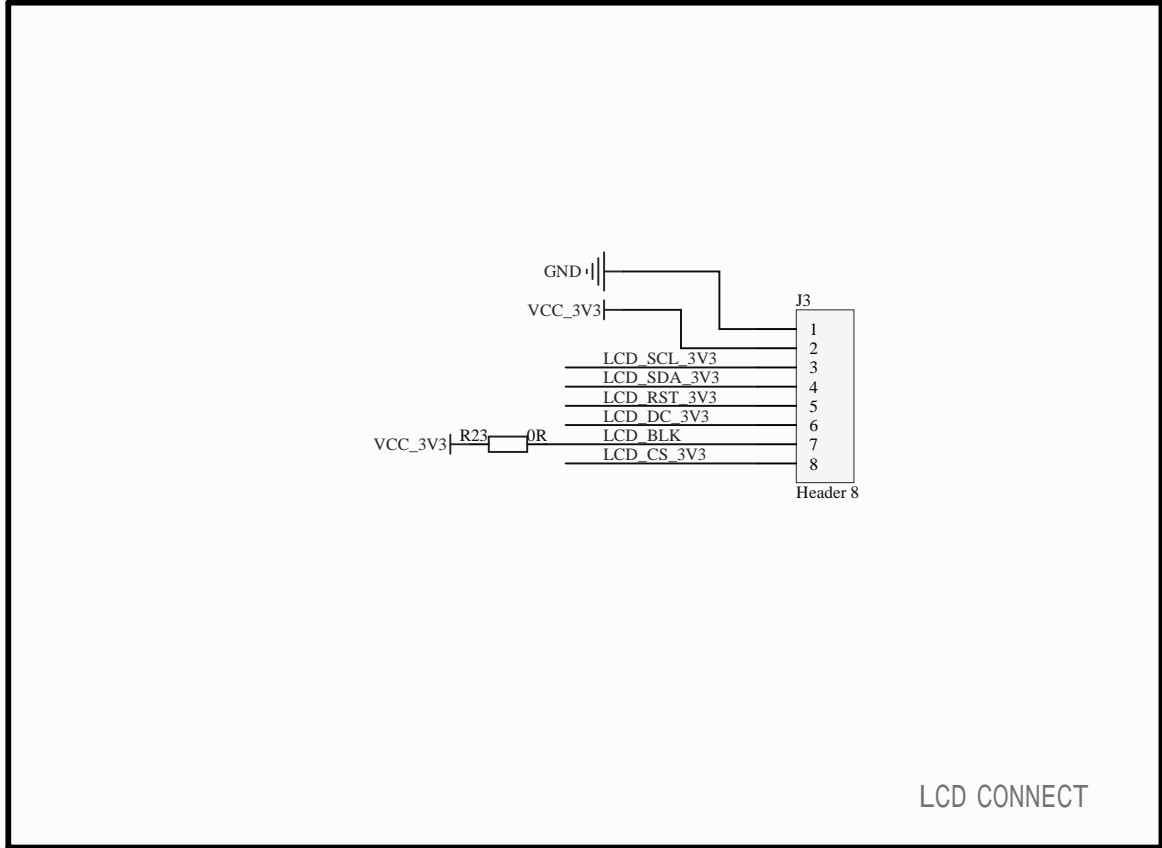
D

1

2

3

4



LCD CONNECT

1

2

3

4

A

A

B

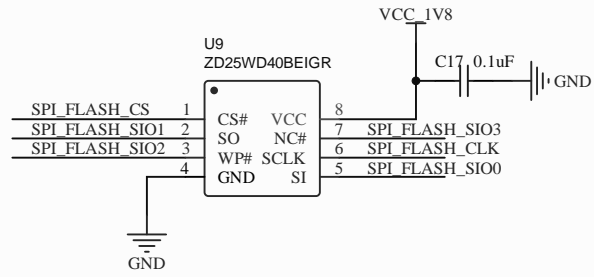
B

C

C

D

D



Flash

1

2

3

4