

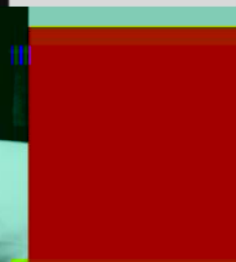
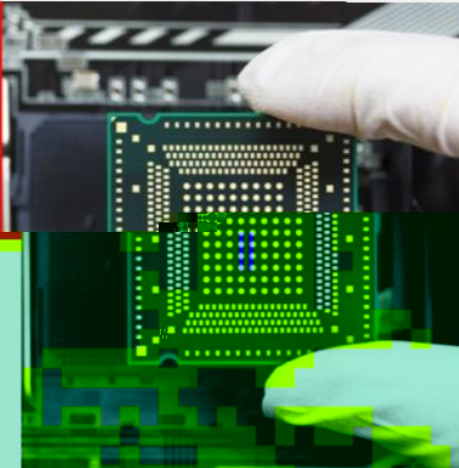
EC800X QuecDuino EVB

EC800X QuecDuino EVB

V1.1

2024-12-25

LX

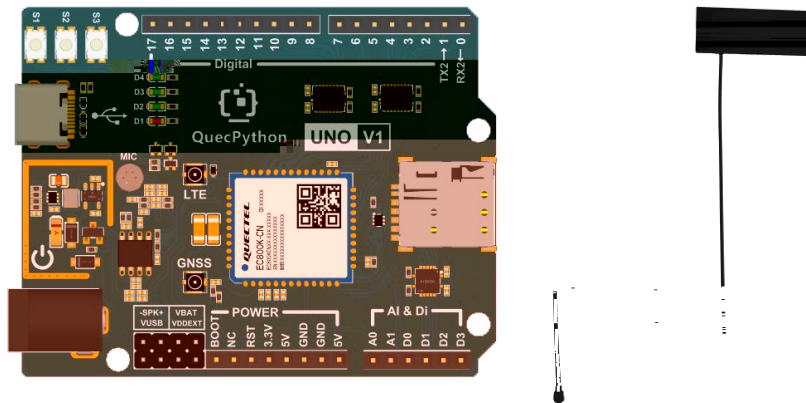


1

EC800X QuecDuino EVB EC800
EC800M EC800K EG800K EC800E

1.1 EC800X QuecDuino EVB

QuecDuino EVB 4G FPC



1 EVB

Features

CPU

EC800 / EG800 Module Series

Pins

22x digital pins (GPIO), D0-D3,0-17 up to
2x analog input pins (ADC), A0-A1

Peripherals

Antenna Interface,LTE & GNSS(option)

SIM Interface, NANO SIM

USB 2.0, TypeC

Arduino female header Interface

Audio(option)

1xMIC onboard

1x 3W Class-D Stereo Amplifier

Power

Recommended input voltage (VIN) is 4.5-5.25 V/2A

Power via USB-C® at 5 V

Power via DC05® at 5-16V

3.3V/200mA output

Communication

4x UART (pin 0, 7) up to

1x SPI (pin 10-13, ICSP header)

1x I2C (pin 16, 17, SDA, SCL)

3x KEY(S1-S3)

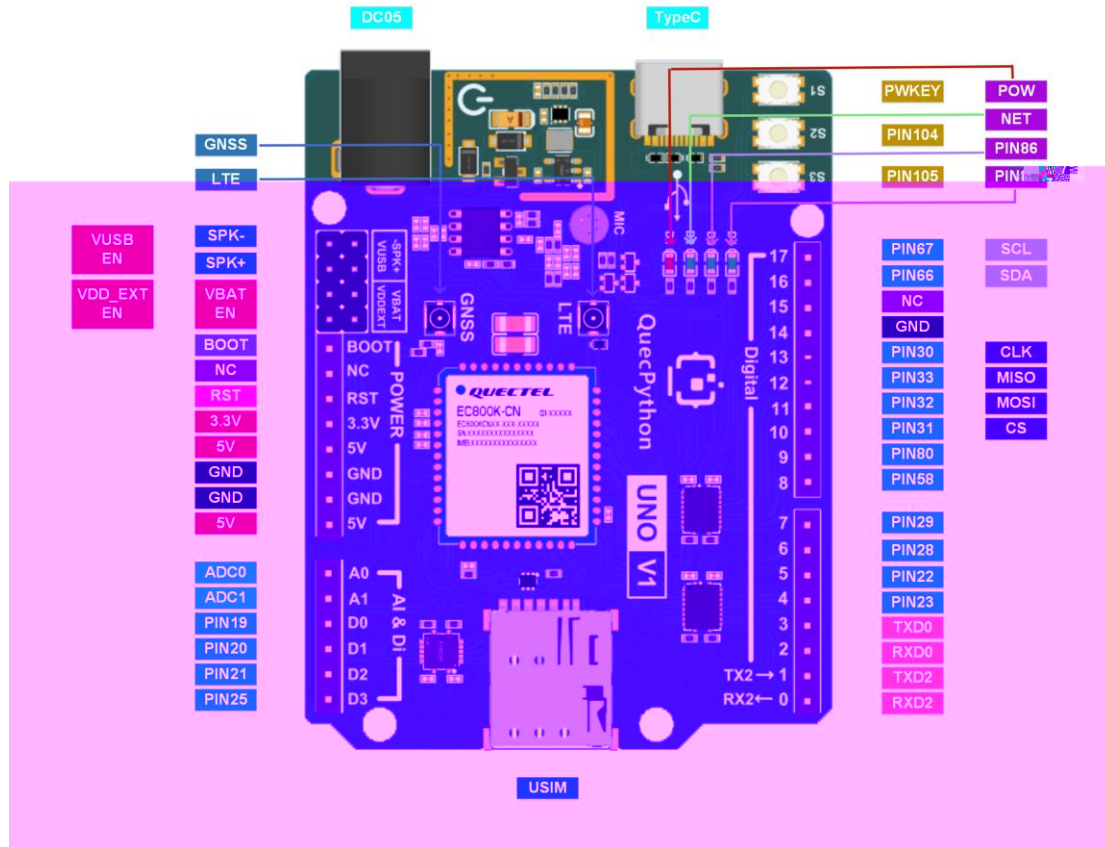
4x LED(D1-D4)

1x RESET(Pull-down reset Module)

1x BOOT(According to different model modules pull up or Pull-down the BOOT pin, Before power-on)

2

2.1



2.2

1

		DC
BOOT	USB_BOOT	
NC		
RST	RESET	

3.3V		3.3V/200mA
5V	/	5V/2A V1.1
GND		
GND		
5V	/	5V/2A V1.1
A0	ADC0	0-1.2 V
A1	ADC1	0-1.2 V
D0	I/O 19	3.3V
D1	I/O 20	3.3V
D2	I/O 21	3.3V
D3	I/O 25	3.3V
0		3.3V
1		3.3V
2		3.3V
3		3.3V
4	I/O 23	3.3V
5	I/O 22	3.3V
6	I/O 28	3.3V
7	I/O 29	3.3V
8	I/O 58	3.3V
9	I/O 80	3.3V
10	I/O 31	3.3V
11	I/O 32	3.3V
12	I/O 33	3.3V
13	I/O 30	3.3V
14		
15	NC	
16	I/O 66	3.3V

BOOT
BOOT

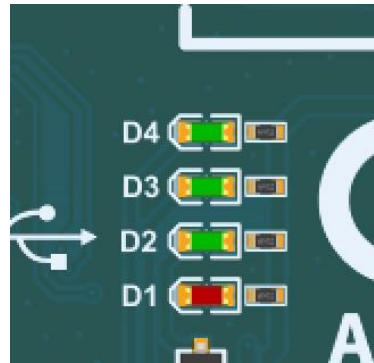
BOOT

BOOT GND

2.3

EVB 4

D1



D2

2

D2	200ms /1800ms	
	1800ms /200ms	
	125ms /125ms	

D3 D4

86 87

3 SIM



EVB NANO SIM USIM ETSI IMT-2000
1.8 V 3.0 V USIM

4 USB

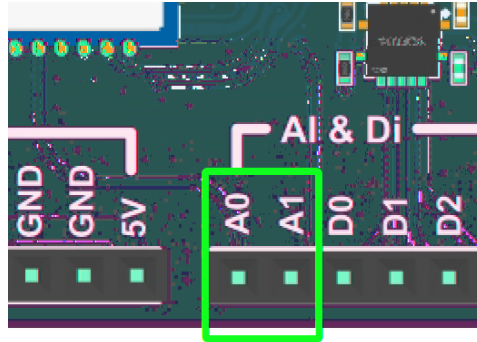


EVB 1 TypeC USB USB USB 2.0
USB 2.0 480 Mbps 12 Mbps
AT GNSS NMEA

5 ADC

EVB 2

ADC



3 ADC

参数	最小值	典型值	最大值	单位
ADC0 电压	0	-	1.2	V
ADC1 电压	0	-	1.2	V
ADC 分辨率	-	-	12	位

6

6.1

6.1.1

5

引脚名	引脚号	I/O	描述	备注
ANT_MAIN	35	AIO	主天线接口	50 Ω 特性阻抗。

备注

模块支持 Wi-Fi Scan 功能。由于共用主天线接口，两种功能不可同时使用。时分复用，Wi-Fi Scan 只接收不发送。

6

工作频段	发送 (MHz)	接收 (MHz)	接收
1920~2170	LTE-FDD B1	1920~1980	2110~2170
1710~1880	LTE-FDD B3	1710~1785	1805~1880
824~894	LTE-FDD B5	824~849	869~925
880~960	LTE-FDD B8	880~915	925~960
2010~2025	LTE-TDD B34	2010~2025	2010~2025
2570~2620	LTE-TDD B38	2570~2620	2570~2620
1880~1920	LTE-TDD B39	1880~1920	1880~1920
2300~2400	LTE-TDD B40	2300~2400	2300~2400
2535~2675	LTE-TDD B41	2535~2675	2535~2675

6.1.2

7

最小值	频段	最大值
< -39 dBm	LTE-FDD B1/B3/B5/B8	23 dBm ±2 dB
< -39 dBm	LTE-TDD B34/B38/B39/B40/B41	23 dBm ±2 dB

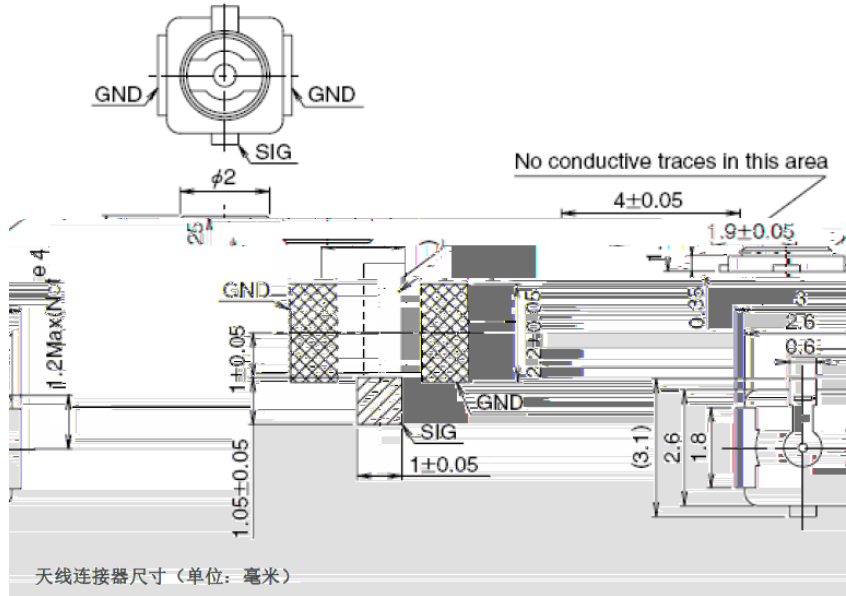
6.1.3

8

频段	接收灵敏度 (典型值) (dBm)			3GPP 要求 (主集 + 分集)
	主集	分集	主集 + 分集	
LTE-FDD B1 (10 MHz)	-99.5 dBm	-	-	-96.3 dBm
LTE-FDD B3 (10 MHz)	-99.0 dBm	-	-	-93.3 dBm
LTE-FDD B5 (10 MHz)	-98.5 dBm	-	-	-94.3 dBm
LTE-FDD B8 (10 MHz)	-99.0 dBm	-	-	-93.3 dBm
LTE-TDD B34 (10 MHz)	-100.0 dBm	-	-	-96.3 dBm
LTE-TDD B38 (10 MHz)	-99.0 dBm	-	-	-96.3 dBm
LTE-TDD B39 (10 MHz)	-100.0 dBm	-	-	-96.3 dBm
LTE-TDD B40 (10 MHz)	-100.5 dBm	-	-	-96.3 dBm
LTE-TDD B41 (10 MHz)	-99.0 dBm	-	-	-94.3 dBm

6.3

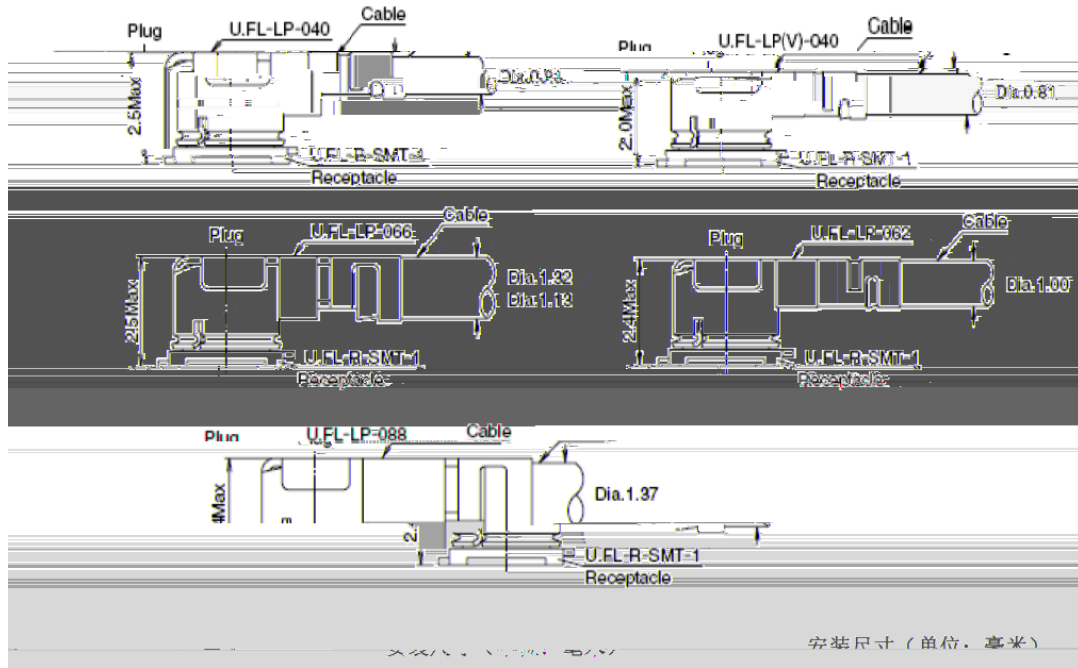
EVB



U.FL-LP

Part No.	UR-D40-1000	UR-D40-1000	UR-D40-1000	UR-D40-1000	UR-D40-1000
Mated Height	2.5mm Max. (2.4mm Nom.)	2.5mm Max. (2.3mm Nom.)	2.0mm Max. (1.9mm Nom.)	2.4mm Max. (2.3mm Nom.)	2.4mm Max. (2.3mm Nom.)
Coaxial cable	Applicable	Applicable	Applicable	Applicable	Applicable
Weight (mg)	74.7	55.7	55.1	54.9	45.5
RoHS				YES	

U.FL-LP 连接器系列



IPEX

<https://www.i-pex.com>

7

7.1

11

TypeC	-0.3	6	V
DC	-0.3	16	V
3.3V	-0.3	3.4	V
	-0.3	3.4	V
ADC0	-	1.2	V
ADC1	-	1.2	V
5V	-	2	A

7.2

12

TypeC		4.5	5.0	5.25	V
DC		4.5	12	16	V
I	LTE	-	1.5	2	A

7.3

13 ESD

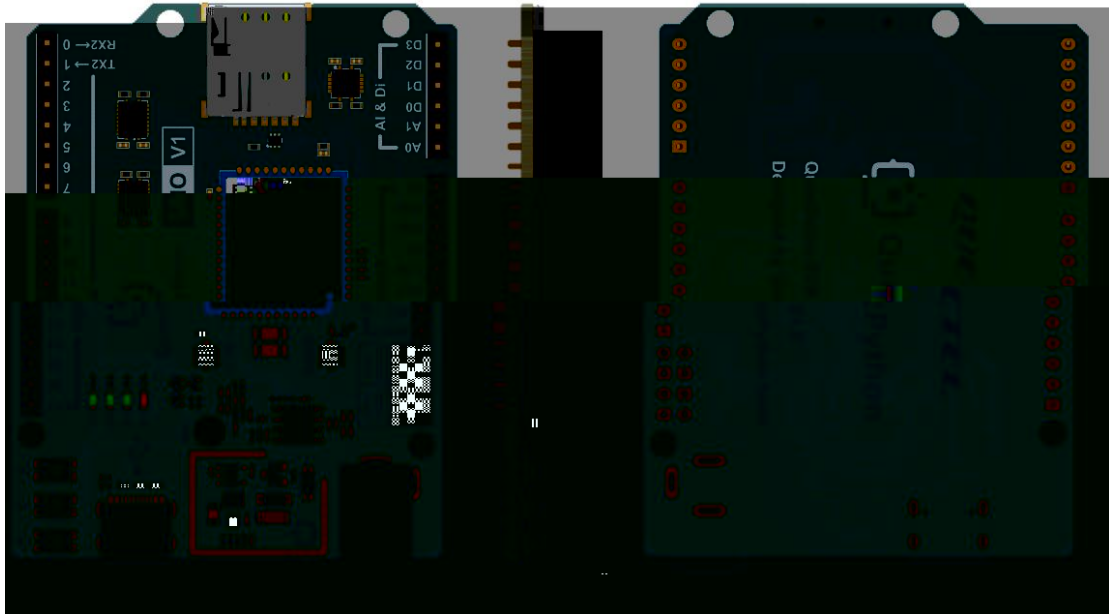
5V GND	8	10	KV
USB	8	10	KV

8

8.1



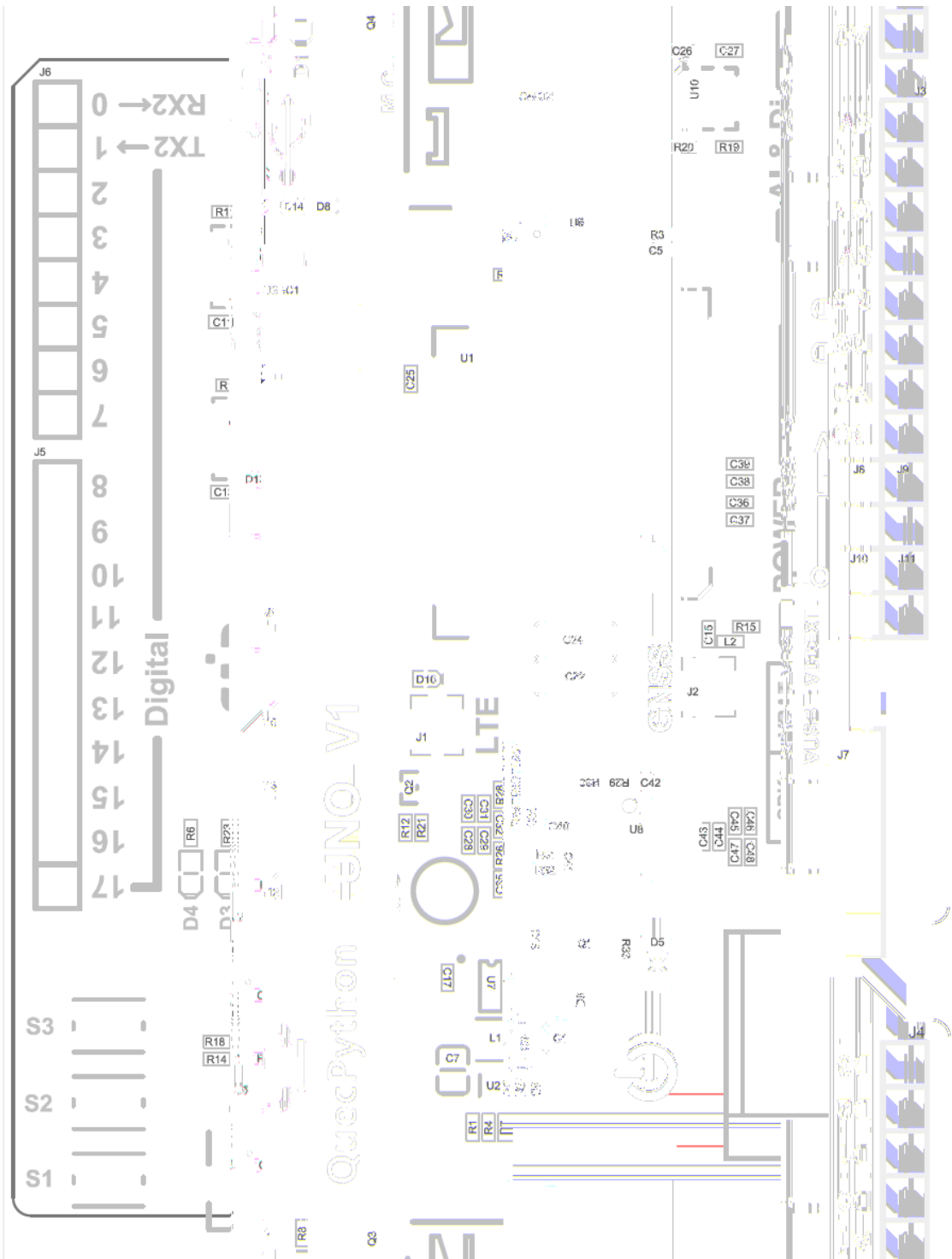
8.2

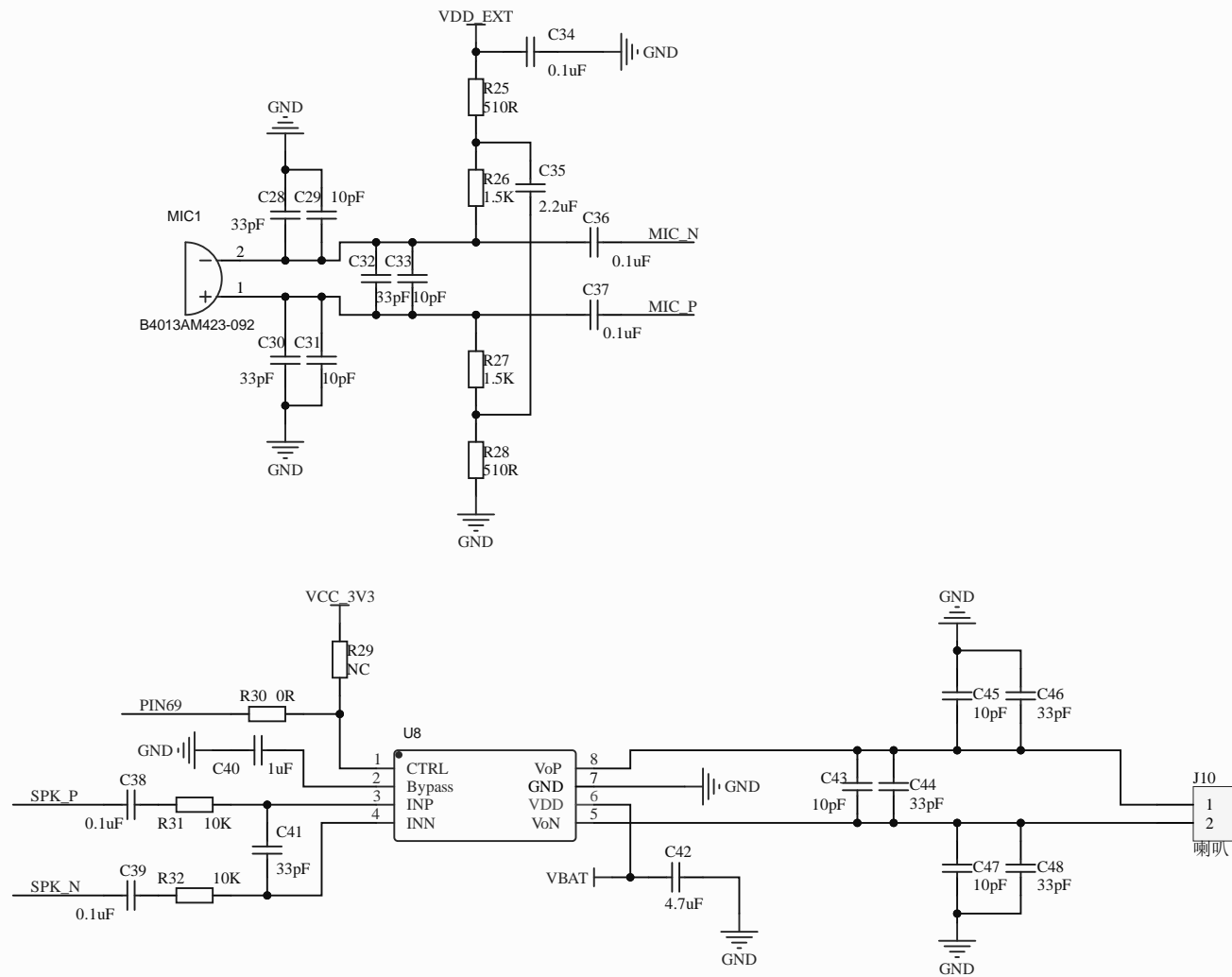


9

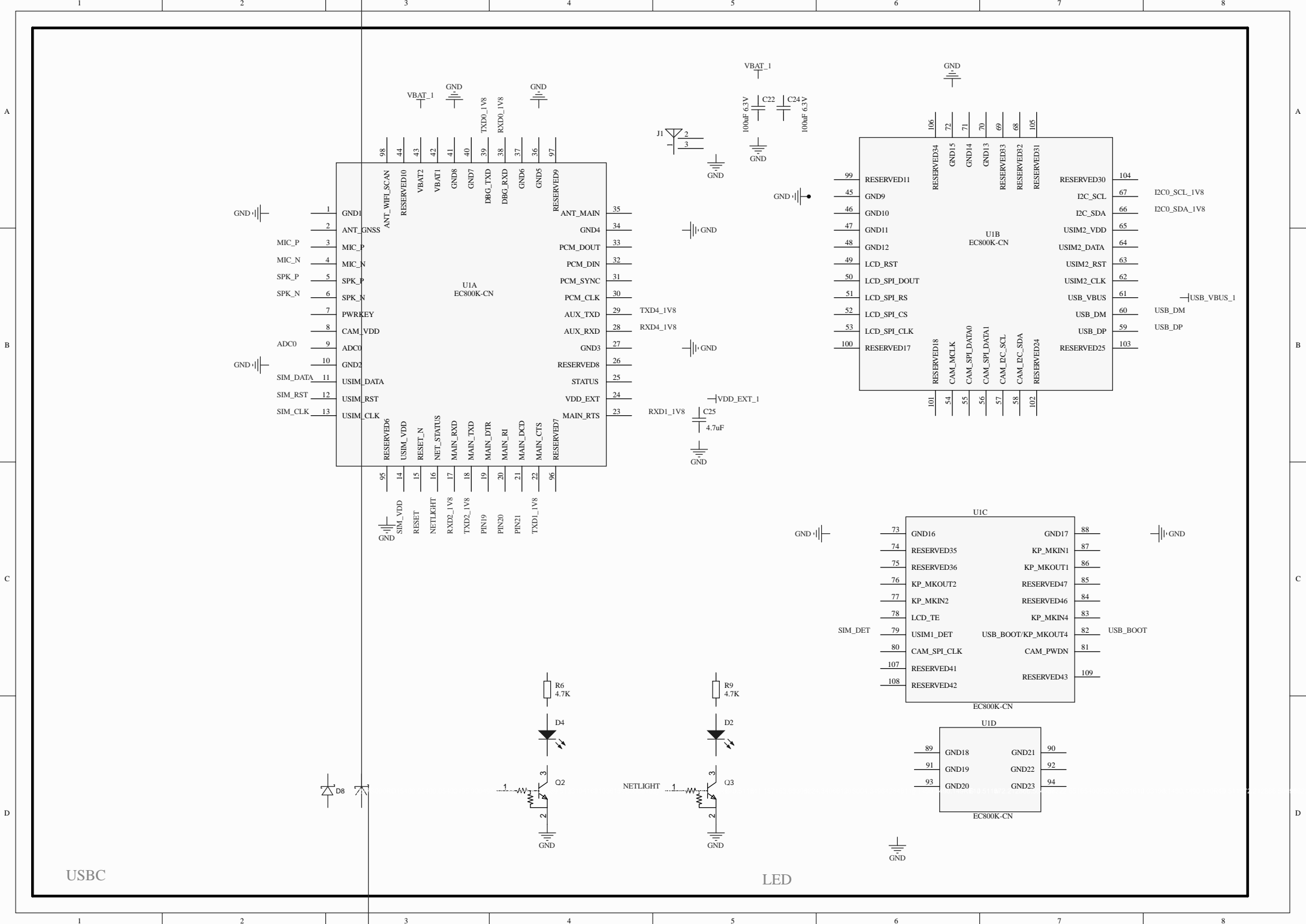
- 1
- 2

10 EVB



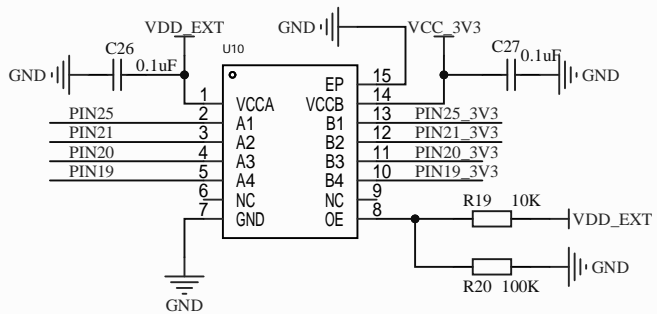
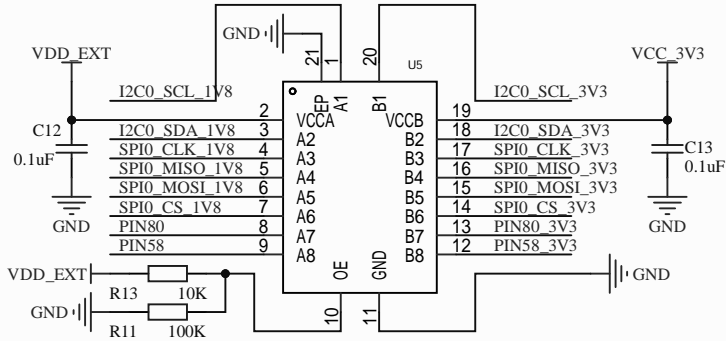
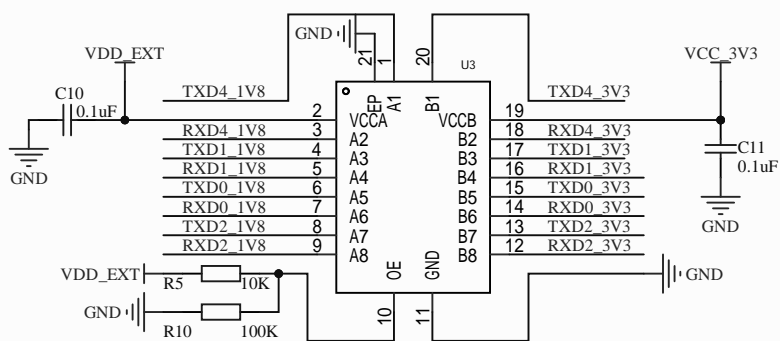


AUDIO

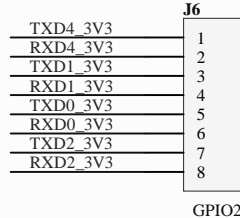
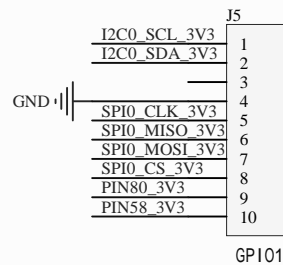
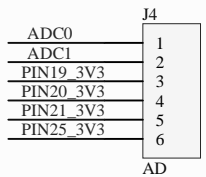
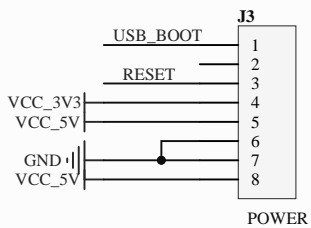


USBC

LED



电平转换



按键和排母

1

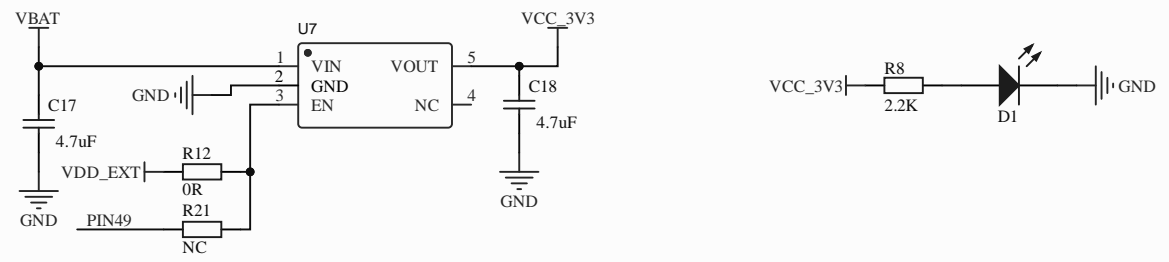
2

3

4

A

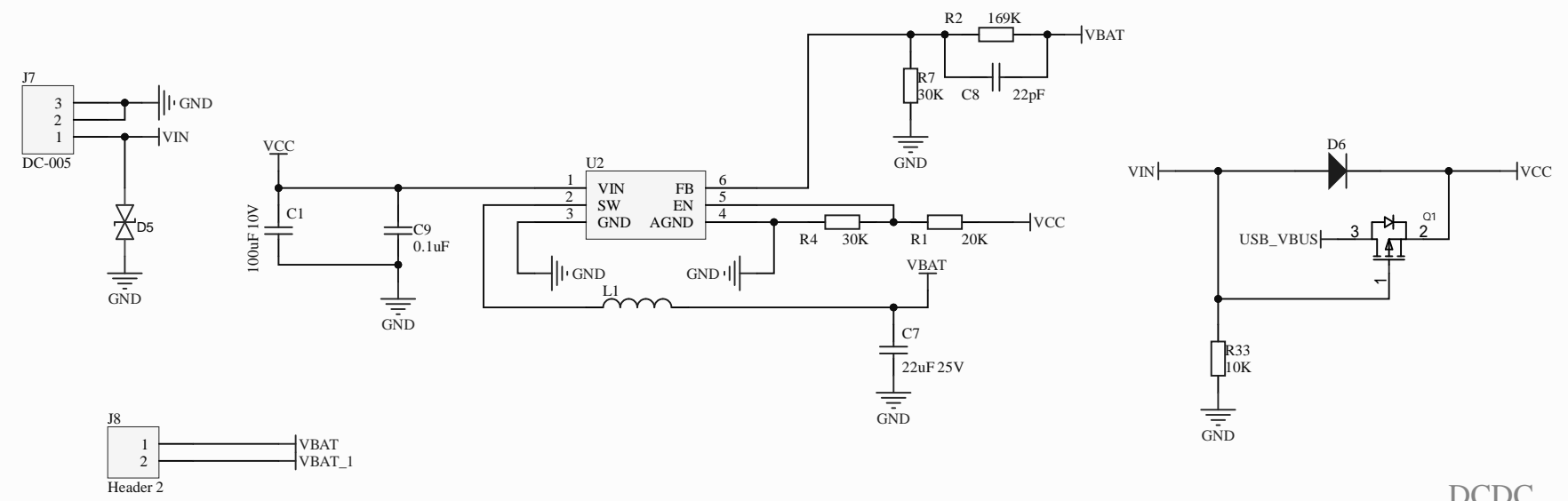
A



LDO

B

B



DCDC

D

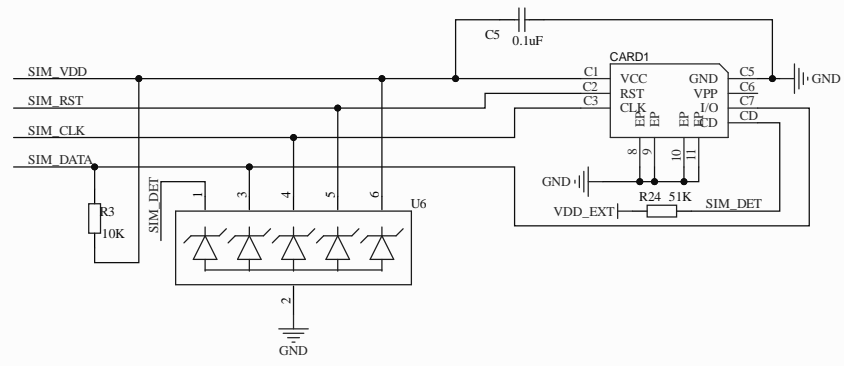
D

1

2

3

4



USIM